

NOTES:

- 1 CATALOG NUMBER, DATE CODE AND MANUFACTURING CODE LOCATED APPROXIMATELY AS SHOWN ON SURFACE INDICATED

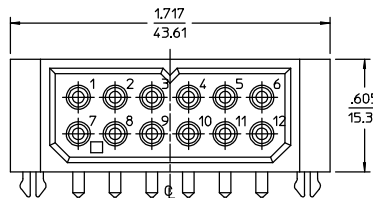
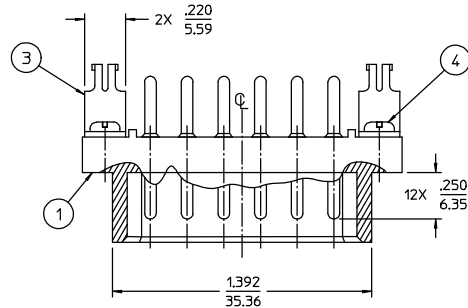
SPECIFICATIONS

MATERIALS

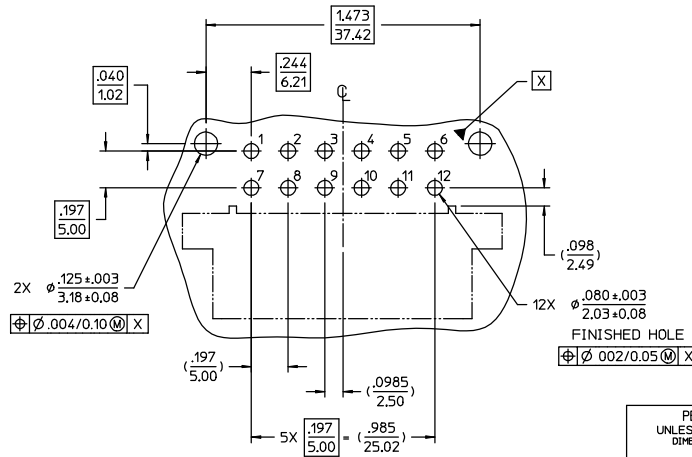
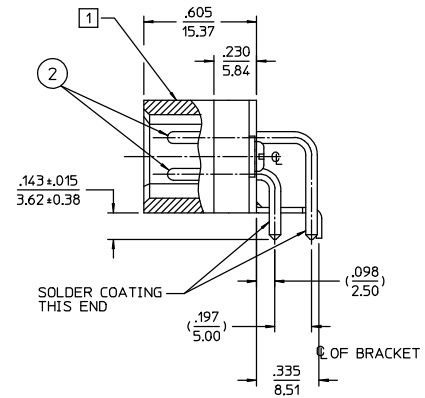
- 1 Insulator ————— Polybutylene Terephthalate (PBT), Color: Black, UL V-0 Rated
- 2 Pin contacts ————— Copper Alloy
12 Required
Finish: Mating Area = 30 Microns Gold over Nickel
Termination End = Solder Coating
- 3 Mounting Brackets ————— Brass
2 Required
Finish: Tin/Lead over Nickel
- 4 Mounting Screws ————— Steel
2 Required
Finish: Nickel Plate

PERFORMANCE CHARACTERISTICS

- Underwriter's Laboratories Inc. authorization — Pending
- Canadian Standards Association authorization — certification pending
- Insulation resistance ————— 5000 megohms min
- Dielectric withstanding voltage (at sea level) — 2000 VAC
- Current rating ————— 13 Amps
- Operating temperature range ————— -55°C to +125°C



CATALOG No. PC212P51C21 SHOWN



RECOMMENDED PC BOARD REQUIREMENTS
(COMPONENT SIDE OF BOARD SHOWN)
.062/157 BOARD THICKNESS

REV	DESCRIPTION	BY DATE	APPD
A	RELEASED PER ECR# 6859	BAS 07/09/01	V.B.H.

PER ASME Y14.5M-1994 UNLESS OTHERWISE SPECIFIED: DIMENSIONS ARE IN INCHES OR INCHES / MM		Litton Winchester Electronics 400 PARK ROAD WATERTOWN, CONNECTICUT 06795	
TOLERANCES DECIMALS .XX ± .02/0.5 .XXX ± .010/0.25 ANGLES ±		SCALE: 1:1 TITLE 12 POSITION RIGHT ANGLE PIN CONNECTOR WITH SNAP BRACKET	
CUSTOMER DRAWING			
DRAWN BAS APPROVED V.B.H.	DATE CHECKED 06/24/01 DATE APPROVED 07/12/01	DATE W.P.Mazza 7/12/01 DS DATE 07/09/01	TITLE 12 POSITION RIGHT ANGLE PIN CONNECTOR WITH SNAP BRACKET REV. A 26423 SHT. 1 OF 1 A