

REV	DESCRIPTION	BY DATE	APPD
F	REVISED PER ECR# 7997	C.W.B. 02/06/04	LMD

### NX SERIES CODE ORDER CHART - MetCon-2® Daughtercard Socket Connectors

#### NX6A0AE01A0AF

2mm DAUGHTERCARD SOCKET CONNECTOR WITH 110 COMPLIANT SIGNAL CONTACTS, MULTIPURPOSE CENTER, FULLY LOADED, UNSHIELDED

#### NOTES:

- 1 THIS CONNECTOR IS DESIGNED TO MEET THE APPLICABLE PERFORMANCE REQUIREMENTS OF IEC 61076-4-101.
2. DELETED.
3. CONNECTORS ARE END STACKABLE ON A .07874in/2mm GRID.
- 4 FOR COMPLIANT CONTACT PLATED THRU HOLE REQUIREMENTS SEE THRU HOLE PLATING VIEW. MINIMUM P.C. BOARD THICKNESS .062/1.57 NOMINAL.
- 5 NO GAP PERMISSIBLE TO PC BOARD.

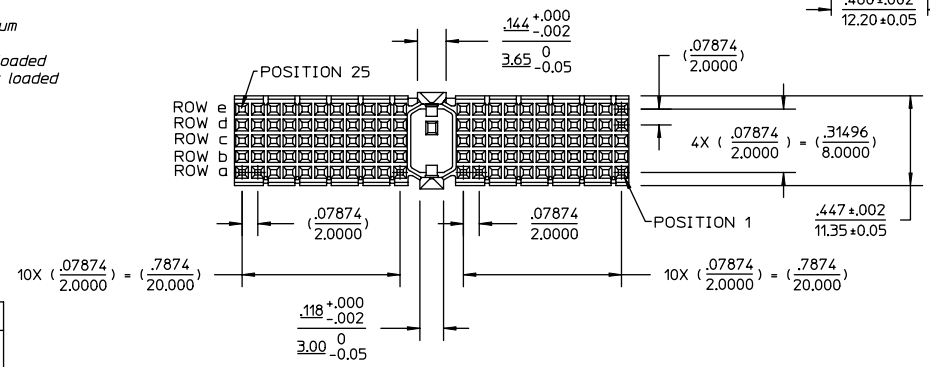
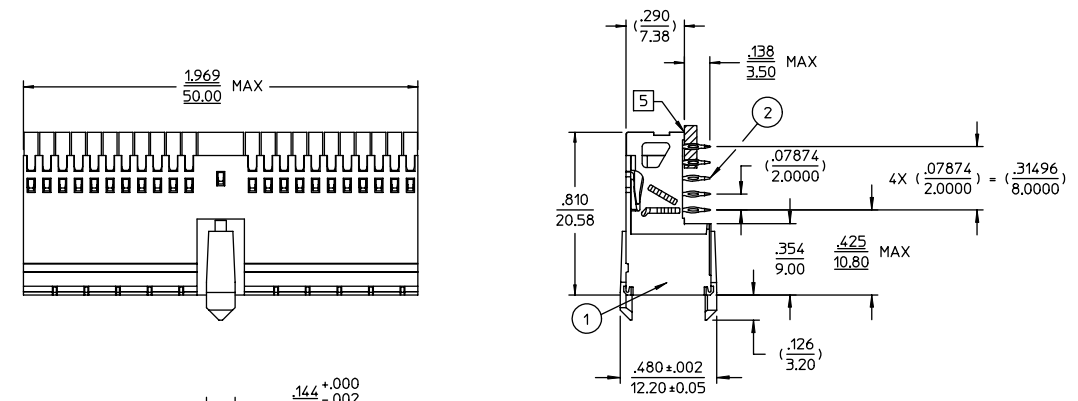
#### SPECIFICATIONS

##### MATERIALS

- 1 Insulators ————— Thermoplastic Polyester, glass filled  
Rated UL 94V-0. Color: Gray
- 2 Contacts ————— Copper Alloy  
Finish: Mating Zone = 30µ Gold over Nickel  
Compliant Zone = Tin/Lead  
Performance Level 2 = 250 cycles

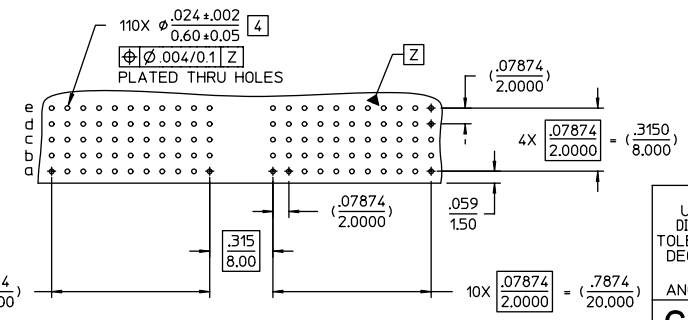
##### PERFORMANCE CHARACTERISTICS 1

- Insulation resistance ————— 5,000 megohms minimum
- Dielectric withstanding voltage (at sea level) — 750 Vrms
- Current rating ————— 1 amp @ 70°C, fully loaded  
1.5 amp @ 20°C, fully loaded
- Operating temperature range ————— -55°C to +125°C
- Contact resistance ————— 20 milliohms maximum
- cUL Approved ————— File E31650
- Compliant Contact**
- Max. Insertion Force (per contact) ————— 22.5 lbs. / 100 N
- Min. Retention Force (per contact) ————— 4.5 lbs. / 20 N

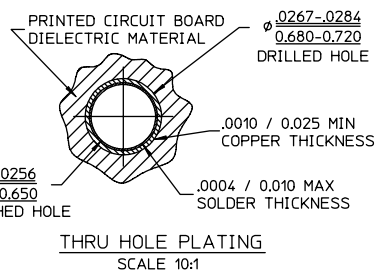


#### CATALOG No. NX6A0AE01A0AF SHOWN

CUSTOMER TOOLING REQUIRED			
DESCRIPTION	SEATING TOOL CATALOG No.	INSTRUCTION SHEET	DRAWING NUMBER
3U CompactPCI™ DAUGHTERCARDS PCB ASSEMBLY FIXTURE	107-43926	43521	43926
3U/6U CompactPCI™ DAUGHTERCARDS PCB ASSEMBLY FIXTURE	107-43927	43521	43927
FLAT ROCK SOCKET INSERTION TOOL FOR 5 ROW, 50 mm LONG SOCKET MODULES	107-43928-01	43521	43928



#### RECOMMENDED PC BOARD REQUIREMENTS (COMPONENT SIDE OF BOARD SHOWN)



PER ASME Y14.5M-1994 UNLESS OTHERWISE SPECIFIED: DIMENSIONS ARE IN INCHES OR INCHES/MM TOLERANCES: .MM DECIMALS .XX ± .02/0.5 .XXX ± .004/0.10			
ANGLES ± --		SCALE: 1:1	
<b>CUSTOMER DRAWING</b>			
DRAWN C.W.B.	DATE 03/22/99	APPROVED W.P.M.	DATE 04/19/99
APPROVED A.E.E.	DATE 04/19/99	APPROVED S.W.A.	DATE 04/19/99

### NORTHROP GRUMMAN

82 Barnes Industrial Road North  
Wallingford, CT 06492

**Winchester Electronics**

---

TITLE  
MetCon-2® NX6 SERIES  
DAUGHTERCARD SOCKET CONNECTOR  
MODULE STYLE A

DRAWN	DATE	APPROVED	DATE
A	29618	SHT. 1 OF 1	REV. F