

REV	DESCRIPTION	BY DATE	APPD
G	REVISED PER ECR# 7997	C.W.B. 02/09/04	LMD

NX SERIES MetCon-2® Daughtercard Socket Connectors

NX6B0BA12A1AF

2mm DAUGHTERCARD SOCKET CONNECTOR WITH 110 COMPLIANT SIGNAL CONTACTS, FULLY LOADED, TOP SHIELD. [6]

NOTES:

- [1] THIS CONNECTOR IS DESIGNED TO MEET THE APPLICABLE PERFORMANCE REQUIREMENTS OF IEC 61076-4-101.
2. CONNECTORS ARE END STACKABLE ON A .07874in/2mm GRID.
- [3] FOR COMPLIANT CONTACT PLATED THRU HOLE REQUIREMENTS SEE THRU HOLE PLATING VIEW. MINIMUM P.C. BOARD THICKNESS .062/1.57 NOMINAL
- [4] NO GAP PERMISSIBLE TO PC BOARD.
5. DELETED.
- [6] OPTIONAL BOTTOM SHIELD SOLD SEPARATELY.

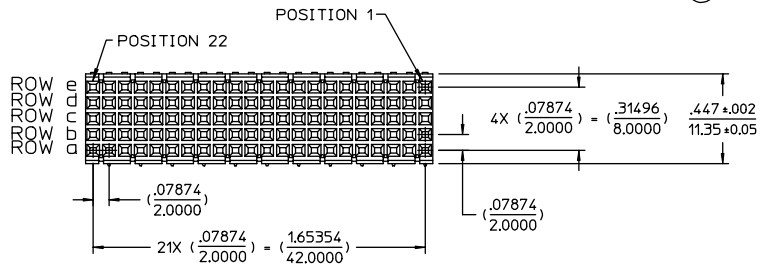
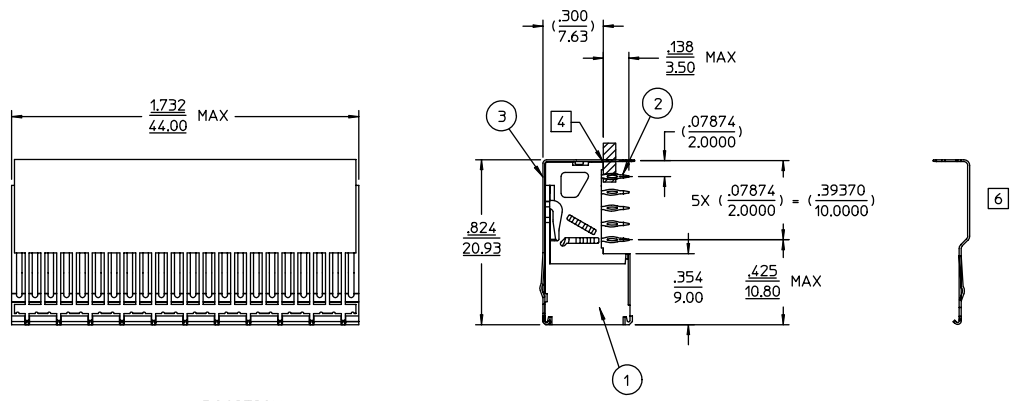
SPECIFICATIONS

MATERIALS

- [1] Insulators ————— Thermoplastic Polyester, glass filled
Rated UL 94V-0, Color: Gray
- [2] Contacts ————— Copper Alloy
Finish: Mating Zone = 30µ Gold over Nickel
Compliant Zone = Tin/Lead
Performance Level 2 = 250 cycles
- [3] Top Shield ————— Copper Alloy
Finish: Nickel Plate

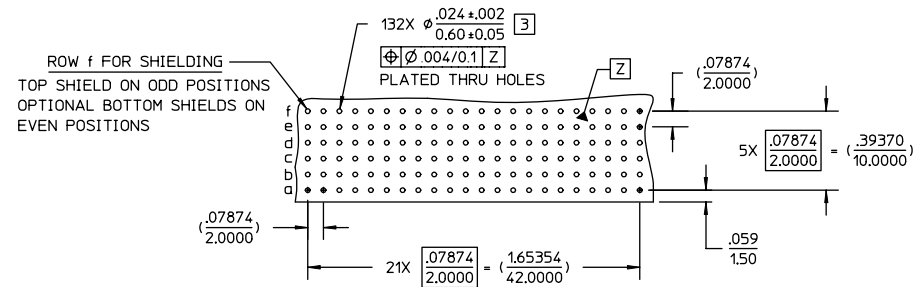
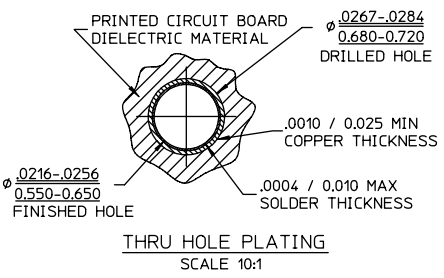
PERFORMANCE CHARACTERISTICS [1]

- Insulation resistance ————— 5,000 megohms minimum
- Dielectric withstanding voltage (at sea level) — 750 Vrms
- Current rating ————— 1 amp @ 70°C, fully loaded
1.5 amp @ 20°C, fully loaded
- Operating temperature range ————— -55°C to +125°C
- Contact resistance ————— 20 milliohms maximum
- cUL Approved ————— File E31650
- Compliant Contact
- Max. Insertion Force (per contact) ————— 22.5 lbs. / 100 N
- Min. Retention Force (per contact) ————— 4.5 lbs. / 20 N



CATALOG No. NX6B0BA12A1AF SHOWN

CUSTOMER TOOLING REQUIRED			
DESCRIPTION	SEATING TOOL CATALOG No.	INSTRUCTION SHEET	DRAWING NUMBER
3U CompactPCI™ DAUGHTERCARDS PCB ASSEMBLY FIXTURE	107-43926	43521	43926
3U/6U CompactPCI™ DAUGHTERCARDS PCB ASSEMBLY FIXTURE	107-43927	43521	43927
FLAT ROCK SOCKET INSERTION TOOL FOR 5 ROW, 44 mm LONG SOCKET MODULES	107-43928-04	43521	43928



RECOMMENDED PC BOARD REQUIREMENTS
(COMPONENT SIDE OF BOARD SHOWN)

PER ASME Y14.5M-1994 UNLESS OTHERWISE SPECIFIED: DIMENSIONS ARE IN INCHES OR INCHES/MM			
TOLERANCES: .XX ± .02/0.5 .XXX ± .004/0.10			
ANGLES ± --		SCALE: 1:1	
CUSTOMER DRAWING			
DRAWN	DATE	APPROVED	DATE
C.W.B.	04/01/99	W.P.M.	04/21/99
APPROVED	DATE	APPROVED	DATE
A.E.E.	04/21/99	S.W.A.	04/21/99

NORTHROP GRUMMAN

Winchester Electronics

82 Barnes Industrial Road North
Wallingford, CT 06492

TITLE
MetCon-2® NX6 SERIES
DAUGHTERCARD SOCKET CONNECTOR
MODULE STYLE B22

A	29635	SHT. 1 of 1	REV. G
----------	-------	-------------	-----------