

REV	DESCRIPTION	BY DATE	APPD
F	REVISED PER ECR# 7849	C.M.B. 10/15/03	LMD

NX SERIES CODE ORDER CHART - MetCon-2® Shroud

NOTES:

- 1 FOR MIDPLANE APPLICATIONS, PC BOARD PLUS SHROUD THICKNESS GUARANTEE 3 MATING LEVELS (L1, L2, L3) AND A MINIMUM CONTACT WIPE LENGTH OF .098/2.5. PC BOARD AND CONTACT WIPE ARE BASED ON NOMINAL DIMENSION, TOLERANCES FOR PC BOARD MAY VARY AS MUCH AS 10%. CUSTOMERS ARE SUGGESTED TO USE ACTUAL PC BOARD THICKNESS TO CALCULATE MIDPLANE APPLICATION AND CONTACT LENGTH.
- 2 .0078/0.2 MAX GAP PERMISSIBLE TO PC BOARD.
3. SHROUDS ARE END STACKABLE ON A .07874/2.0 GRID.
- 4 SHROUD WITHOUT STANDOFFS FOR USE WITH .189/4.8 TO .220/5.6 PCB THICKNESS.
5. DELETED.

NX5SH01

STYLE A SHROUD, 154 TOTAL CONTACT POSITIONS 50mm LONG

STEP 1 PC BOARD THICKNESS

CODE	PC BOARD (BACKPLANE) NOMINAL THICKNESS D		SHROUD HEIGHT DIMENSIONS	
	MINIMUM	MAXIMUM	C	B
19	.110/2.80	.125/3.18	.604/15.35	.193/4.90
15	.126/3.20	.157/4.00	.589/14.95	.177/4.50
09	.158/4.05	.188/4.78	.557/14.15	.146/3.70
00	.189/4.80	.220/5.60	.526/13.35	.114/2.90

SPECIFICATIONS

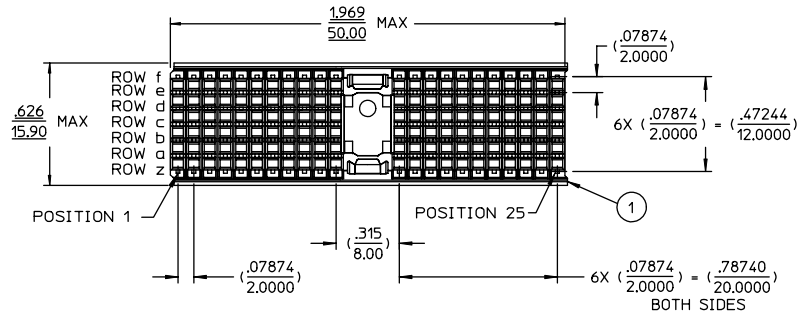
MATERIALS

1 Shroud ————— Thermoplastic Polyester, glass filled
Rated UL 94V-0. Color: Gray

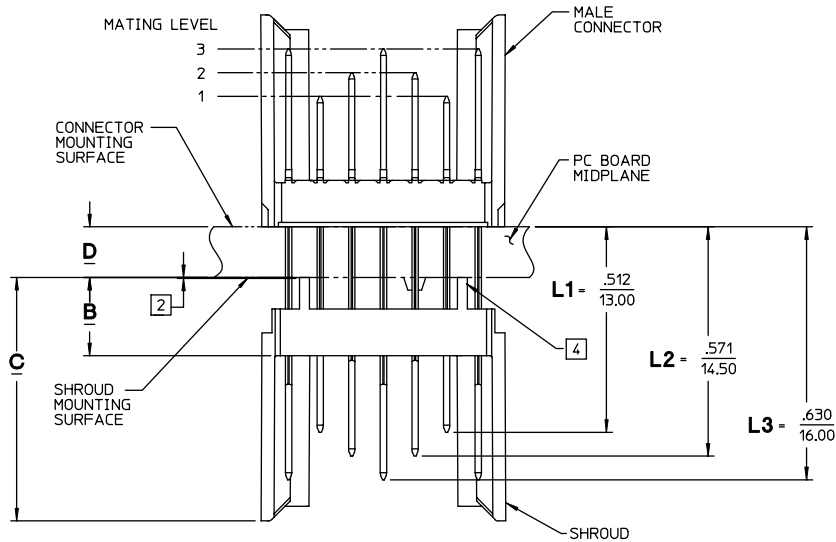
PERFORMANCE CHARACTERISTICS

Insulation resistance ————— 5,000 megohms minimum
Operating temperature range ————— -55°C to +125°C
cUL Approved ————— File E31650

CUSTOMER TOOLING REQUIRED			
DESCRIPTION	SEATING TOOL CATALOG No.	INSTRUCTION SHEET	DRAWING NUMBER
INSERTION TOOL TYPE A	107-43896-01	43500	43896
REMOVAL TOOL TYPE A	107-43955-01	43534	43955



CATALOG No. NX5SH0119 SHOWN



SHROUD TO HEADER ASSEMBLY
SCALE 2:1

PER ASME Y14.5M-1994 UNLESS OTHERWISE SPECIFIED: DIMENSIONS ARE IN INCHES OR INCHES/MM TOLERANCES: DECIMALS .XX ± .02/0.5 .XXX ± .002/0.05 ANGLES ± SCALE: 1:1		Litton Winchester Reticon 400 Park Road Watertown, Connecticut 06795	
CUSTOMER DRAWING		TITLE SHROUD REAR PLUG-UP APPLICATION STYLE A	
DRAWN C.W.B.	DATE 06/04/99	APPROVED W.P.M.	DATE 06/14/99
APPROVED A.E.E.	DATE 06/14/99	APPROVED S.W.A.	DATE 06/14/99
A		29685	SHT. 1 OF 1
		REV. F	