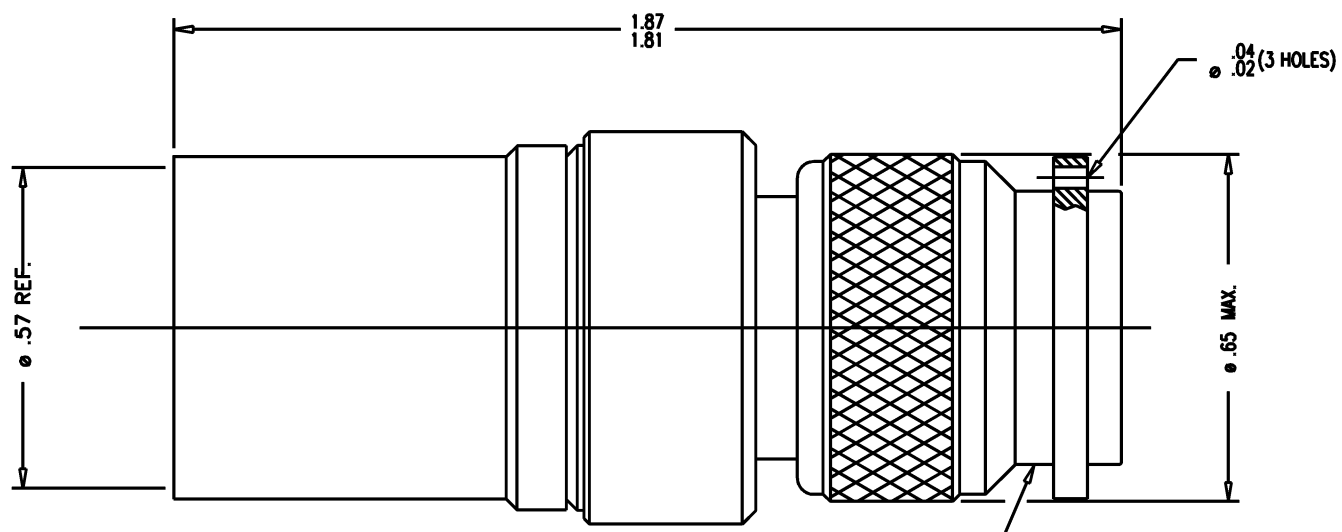


DASH NO.	M CODE	MADE FROM
----------	--------	-----------



- NOTES:
- FOR USE WITH BOEING S280W503-6 & ADAMS RUSSELL FC48Z CABLE.
 - FOR CABLING INSTRUCTIONS SEE 3-546-2.
 - FOR CRIMPING USE DIE KTH-2229.
 - INTERFACE PER MIL-STD-348, FIG. 313-1.
 - CENTER CONTACT, 1-7446-1MA9, SUPPLIED UNASSEMBLED.
 - MARK PACKAGE: KINGS 125-105-9
XXXX (DATE/LOCATION CODE)
 - MATERIALS:
INSULATOR: TEFLON, ASTM-D4894
K-GRIP SLEEVE: COM. BRONZE, ASTM-B140
OUTER CONTACT: BER. COPPER, ASTM-B196
GASKET: SILICONE RUBBER, A-A-59588
C-RING: PHOSPHOR BRONZE, ASTM-B103
ALL OTHER METAL PARTS: BRASS, ASTM-B16
 - FINISHES:
CENTER CONTACT: GOLD PLATE, PER MIL-G-45204
OUTER CONTACT: SILVER PLATE PER ASTM-B-700
ALL OTHER METAL PARTS: KINGS TARNISH RESISTANT NICKEL FINISH (TR-5)
 - ELECTRICAL CHARACTERISTICS:
NOMINAL IMPEDANCE: 50 OHMS
WORKING VOLTAGE: 500 VRMS
FREQUENCY RANGE: DC TO 11 GHz
INSERTION LOSS: DC TO 3.5 GHz, 0.04 dB MAX
3.5 TO 5.0 GHz, 0.105 dB MAX

STAMP: KINGS 125-105-9

PART NO. 125-105-9

REVISIONS

ISSUE	CHANGES
D	ER 8354 RMS 05/28/08

THIS DRAWING, THE DESIGNS AND IDEAS EMBODIED IN THE DEVICE TO WHICH IT RELATES, AND THE METHOD OF PRODUCING THE DEVICE, ARE THE PROPERTY OF WINCHESTER ELECTRONICS CORPORATION AND SHALL NOT BE EMPLOYED, COPIED, OR DISCLOSED TO ANYONE, IN ANY MANNER WITHOUT THE CONSENT OF WINCHESTER ELECTRONICS CORPORATION.

SCALE 4:1

APPROX SURFACE AREA

WAS: E-18477

USED ON

REF:

PLUG, TNC

DRAWN	MJB	DATE	08/09/94
-------	-----	------	----------

DESIGN	CT	DATE	08/09/94
--------	----	------	----------

APPR.	DATE
-------	------



B
SIZE

SD125-105-9

- UNLESS OTHERWISE SPECIFIED
- ALL DIMENSIONS IN INCHES (MILLIMETERS).
 - TOLERANCES:
.XXX ? .004 .XX ? .010
[.XXX ? .10] [.XX ? .25]
FRACTIONS: X/Y ? .010 [.25] ANGLES: ? 1-
★ CRITICAL DIMENSIONS