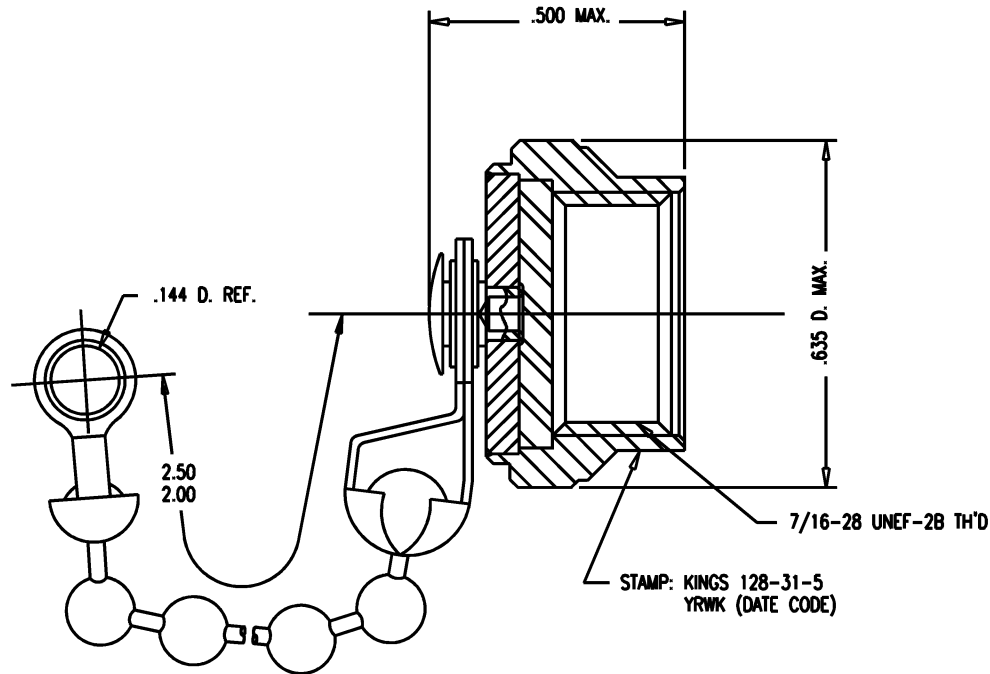


GSD



NOTES:

1. MATERIALS:

PAD: SILICONE RUBBER, ZZ-R-765
 BEAD CHAIN: STAINLESS STEEL, 303
 ALL OTHER METAL PARTS: BRASS, ASTM-B16

2. FINISHES:

COUPLINGS: NICKEL PLATE, PER QQ-N-290
 BEAD CHAIN: PASSIVATE, PER QQ-P-35
 ALL OTHER METAL PARTS: SILVER PLATE, PER QQ-S-365

128-31-5

REVISIONS

ISSUE	CHANGES
0	ER 39018 JLA 02/16/04
1	CN 39060 A JLA 03/18/04

128-31-5SD

SCALE 4:1

APPROX SURFACE AREA

USED ON

REF: EQR 768

CAP & CHAIN, TNC, M

DRAWN JLA DATE 02/06/04

DESIGN JLA DATE 02/06/04

APPR. DATE

KINGS
 ELECTRONICS CO., INC.
 ROCK HILL, SOUTH CAROLINA 29730

GSD

128-31-5