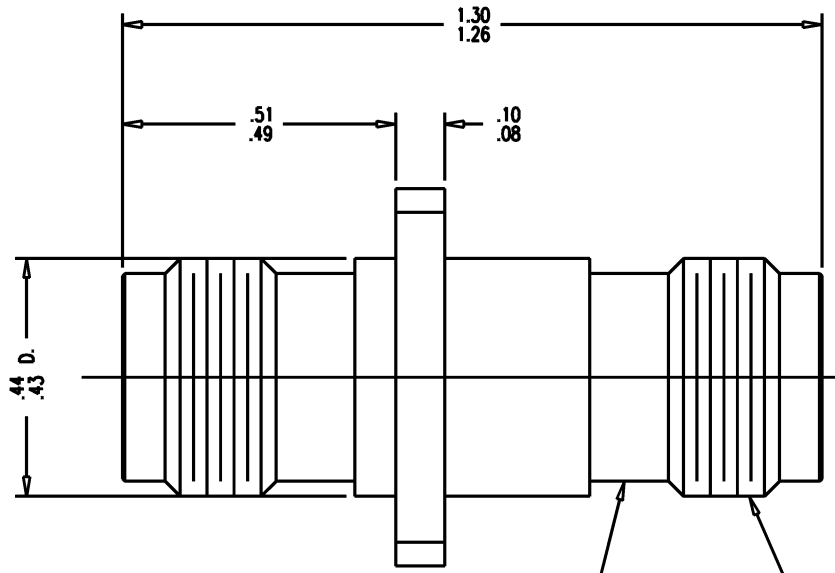
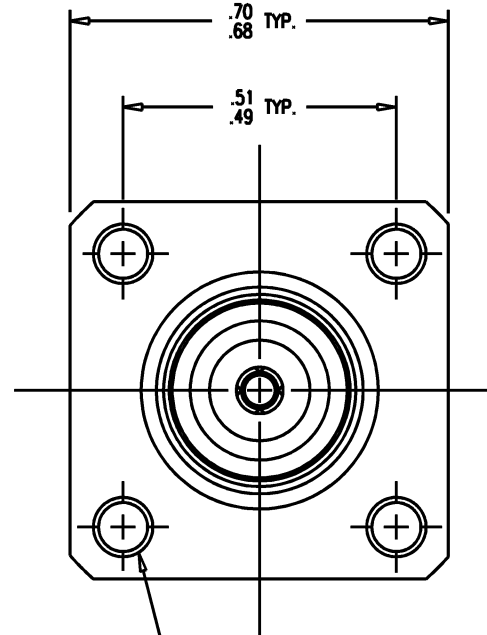


# GSD



STAMP: KINGS 129-23-9

7/16-28 UNEF-2A TH'D  
(BOTH ENDS)



4-40 NC-2B TH'D  
(4 PLACES)

**NOTES:**

1. FOR USE WITH .075 MAX. PANEL.
2. INTERFACE PER MIL-STD-348, FIG. 313-2.
3. MARK PACKAGE: KINGS 129-23-9  
XXXX (DATE CODE)
4. MATERIALS:  
CENTER CONTACT-BER. COP., ASTM-B-196  
INSULATOR-TEFLON, ASTM-D-4894  
ALL OTHER METAL PARTS-BRASS, ASTM-B16
5. FINISHES:  
CENTER CONTACT-GOLD PLATE PER MIL-G-45204  
ALL OTHER METAL PARTS-KINGS TARNISH RESISTANT FINISH (TR-5)
6. ELECTRICAL CHARACTERISTICS:  
NOMINAL IMPEDANCE-50 OHMS  
FREQUENCY RANGE-DC TO 11 GHZ  
WORKING VOLTAGE-500 VRMS

129-23-9

**REVISIONS**

ISSUE	CHANGES
0	ER 35710 KH 08/01/94

KAM3746

SCALE 4:1

APPROX SURFACE AREA

USED ON

REF: BOEING

ADAPTER, F-F, PANEL, TNC

DRAWN KH DATE 05/13/94

DESIGN JT DATE 05/16/94

APPR. DATE

**KINGS**  
ELECTRONICS CO., INC.  
TUCKAHOE, NEW YORK 10707

129-23-9

# GSD