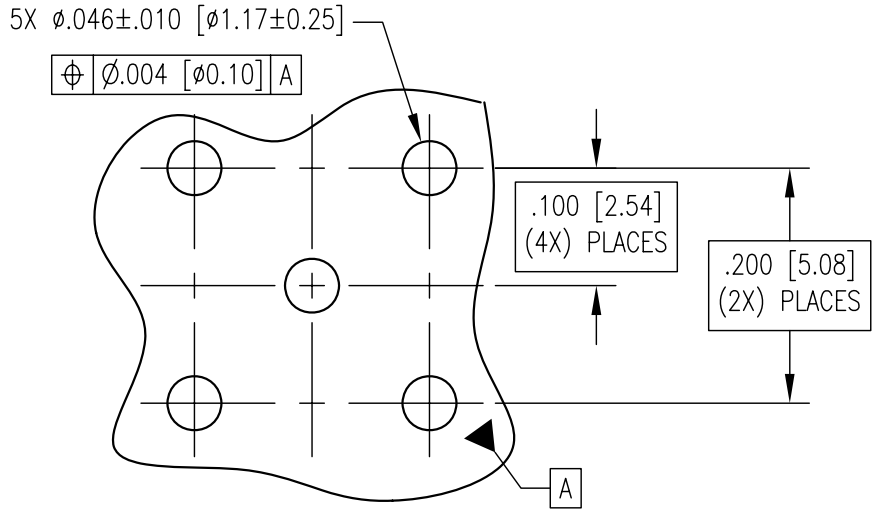
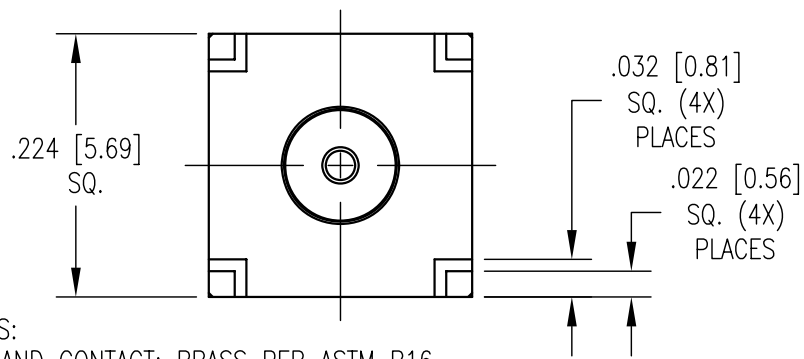
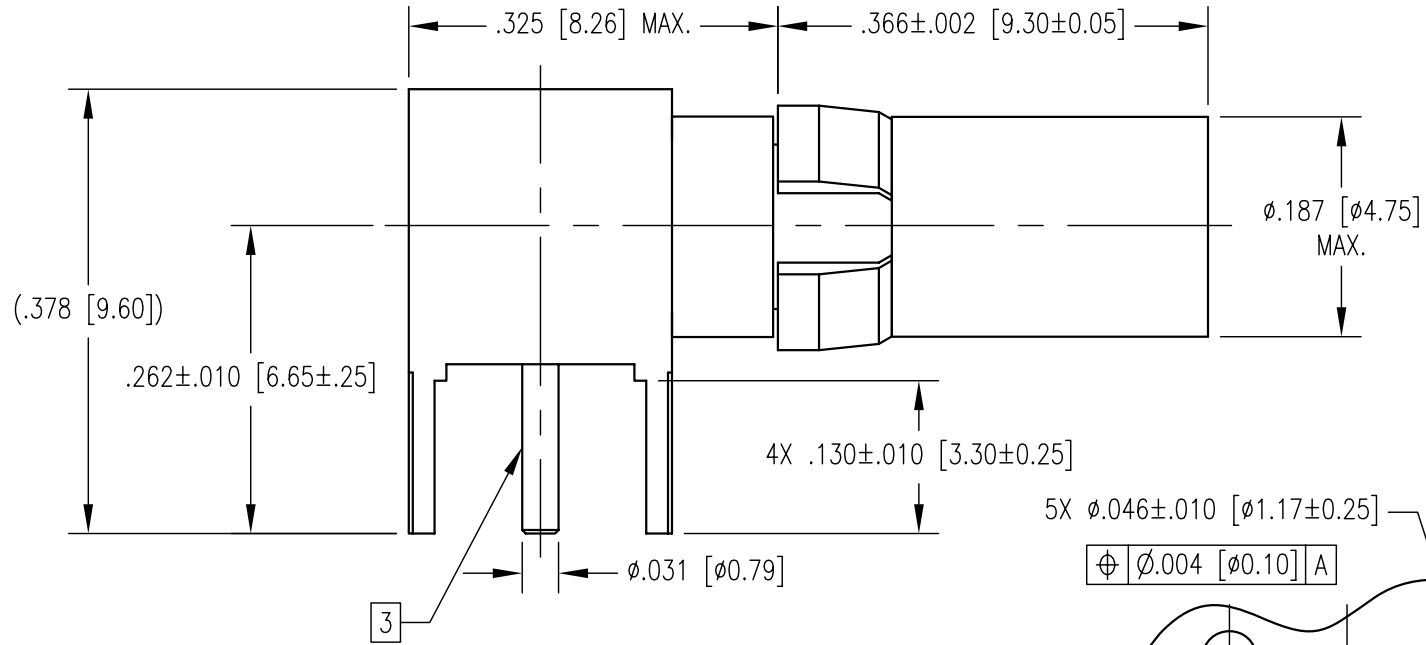


REV	DESCRIPTION	BY DATE	APPD
H	ECR-ER2906	PSM 04/18/07	PSM



RECOMMENDED P.C. BOARD REQUIREMENTS

NOTES:

- MATERIALS:
 BODY AND CONTACT: BRASS PER ASTM B16
 INSULATOR: TEFLON PER ASTM D1710
 CLIP RING: BERYLLIUM COPPER PER ASTM B194
 OUTER CONTACT: COPPER ALLOY
 - FINISH:
 CLIP RING: .000005 MIN. GOLD PER ASTM B488 OVER
 .000080 MIN NICKEL PER AMS-QQ-N-290
 REAR BODY: .000050 MIN. BRIGHT TIN PER ASTM B545, TYPE I OVER
 .000080 MIN. NICKEL PER AMS-QQ-N-290
 ALL OTHER METAL PARTS: .000030 MIN. GOLD PER ASTM B488 OVER
 .000050 MIN. NICKEL PER AMS-QQ-N-290
- [3]. CONTACT: TIN DIPPED (PRIOR TO ASSEMBLY) TO .169±.010 [4.29±0.25].

PER ASME Y14.5M-1994 UNLESS OTHERWISE SPECIFIED: DIMENSIONS ARE IN INCHES [MM] TOLERANCES: DECIMALS .XX ± .01/0.254 .XXX ± .005/0.127 ANGLES ± 2° SCALE: 6:1				<p>Winchester Electronics Corporation 62 Barnes Industrial Road North Wallingford, Connecticut 06492</p>	
CUSTOMER DRAWING				TITLE DIN RIGHT ANGLE PLUG 75 OHM	
DRAWN JEM	DATE 03/25/03	CHECKED SD	DATE 3/28/03	A	SD373-010-6140G
APPROVED JED	DATE 3/27/03	APPROVED KJT	DATE 3/27/03		