

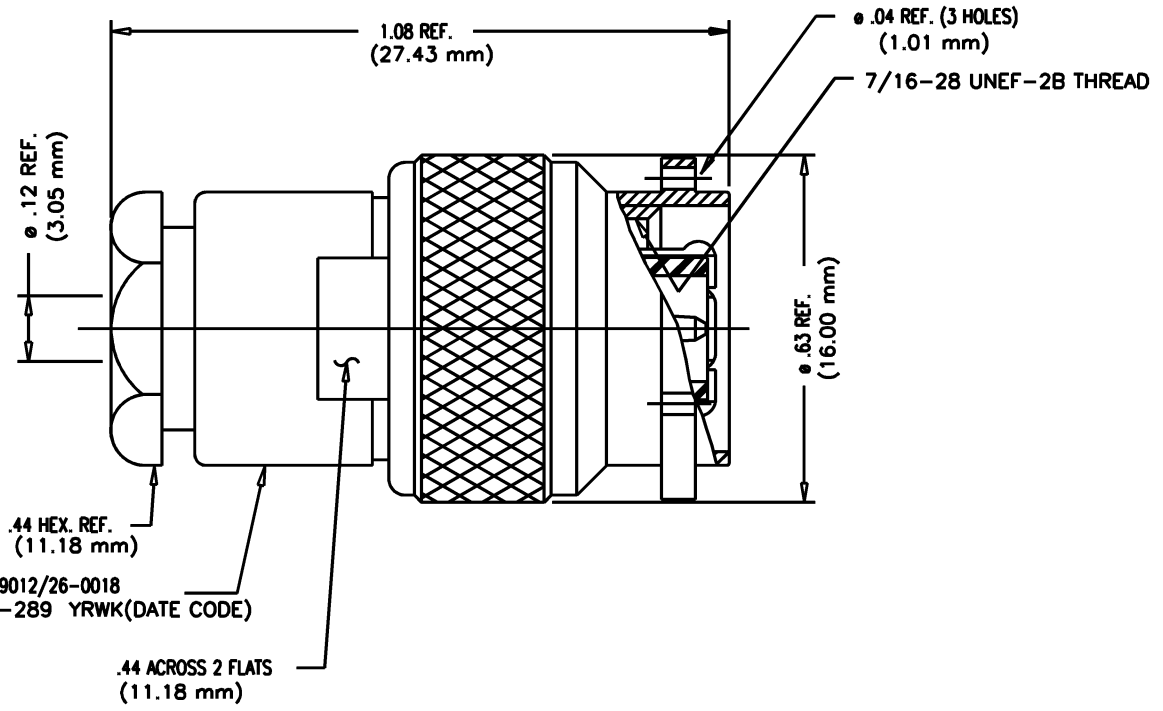
DASH NO.	M CODE	MADE FROM
----------	--------	-----------

GSD

M39012/26-0018

REVISIONS

ISSUE	CHANGES
5	CN 40010 E REDRAWN DRK 07/19/07



STAMP: 91836 M39012/26-0018
KA-59-289 YRWK (DATE CODE)

- NOTES:**
- FOR USE WITH RG-316 AND 174/U CABLES.
 - FOR CABLING INSTRUCTIONS SEE CP-1050.
 - INTERFACE PER MIL-STD-348, FIG. 313-1.
 - MATERIALS:**
INSULATORS: TEFLON, ASTM-D4894
GASKETS: SIL. RUB., A-A-59588.
C-RING: PHOS. BRONZE, ASTM-B103
OUTER CONTACT: BER. COP., ASTM-B-196
ALL OTHER PARTS: BRASS, ASTM-B16
 - FINISHES:**
CENTER CONTACT: HARD GOLD PLATE PER ASTM-B488.
ALL OTHER METAL PARTS: SILVER PLATE, ASTM-B700.
 - ELECTRICAL CHARACTERISTICS:**
NOMINAL IMPEDANCE: 50 OHMS
VOLTAGE RATING: 500 VRMS
FREQUENCY RANGE: DC TO 11 GHz

SCALE 4:1

APPROX SURFACE AREA
KA-59-289

USED ON

REF:
TNC PLUG

DRAWN DRK	DATE 09/19/07
DESIGN MJB	DATE 12/22/1983
APPR.	DATE

A Winchester Electronics Company

GSD

M39012/26-0018