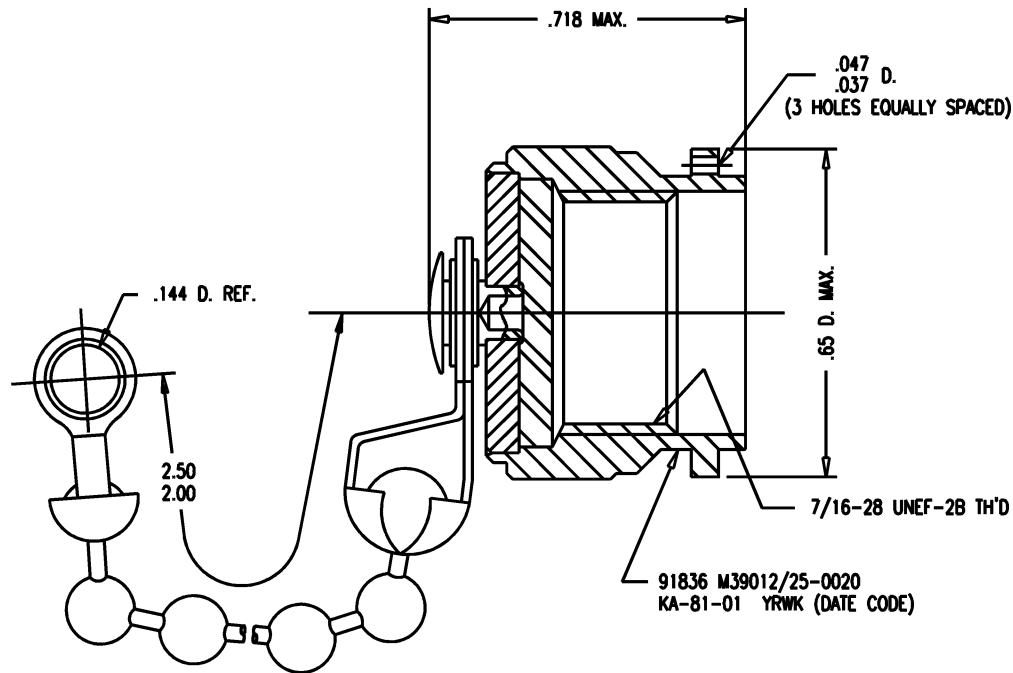


GSD



NOTES:

1. MATERIALS:

PAD: SILICONE RUBBER, ZZ-R-765
 BEAD CHAIN: STAINLESS STEEL, 303
 ALL OTHER METAL PARTS: BRASS, ASTM-B16

2. FINISHES:

COUPLINGS: NICKEL PLATE, PER QQ-N-290
 BEAD CHAIN: PASSIVATE, PER QQ-P-35
 ALL OTHER METAL PARTS: SILVER PLATE, PER QQ-S-365

M39012/25-0020

REVISIONS

ISSUE	CHANGES
4	CN 34401 A REDRAWN MJB 03/25/93
5	CN 38318 E TML 05/30/01

WAS: DET1303 KAB101S

SCALE 4:1

APPROX SURFACE AREA

KA-81-01

USED ON

REF:

CAP & CHAIN, TNC, M

DRAWN MJB DATE 03/25/93

DESIGN DW DATE 03/25/93

APPR. DATE

KINGS
 ELECTRONICS CO., INC.
 ROCK HILL, SOUTH CAROLINA 29730

M39012/25-0020

GSD