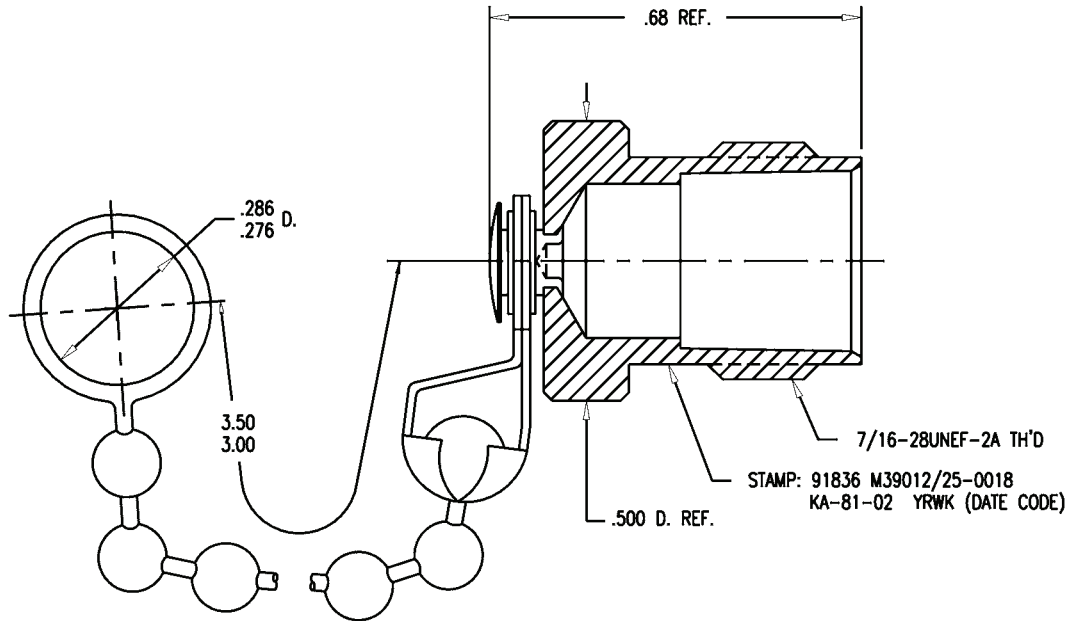


DASH NO.	M CODE	MADE FROM
----------	--------	-----------

# GSD

M39012/25-0018

REVISIONS	
ISSUE	CHANGES
3	CN 17899 C VLS 04/24/78
4	CN 34538 A MJB 03/29/93
5	CN 39278 E TML 06/17/05



**NOTES:**

- MATERIALS:**  
BEAD CHAIN: STAINLESS STEEL  
ALL OTHER METAL PARTS: BRASS, ASTM-B16
- FINISHES:**  
BEAD CHAIN COUPLING } NICKEL PLATE, PER QQ-N-290  
BEAD CHAIN END RING }  
ALL OTHER METAL PARTS: SILVER PLATE, PER QQ-S-365
- MARK PACKAGE:** 91836 M39012/25-0018  
KINGS KA-81-02 YRWK (DATE CODE)
- WEIGHT:** 0.017 POUNDS

WJM1310

SCALE 4:1	
APPROX SURFACE AREA	
KA-81-02	
USED ON	
REF:	
CAP & CHAIN, TNC, F	
DRAWN MJB	DATE 03/29/93
DESIGN DW	DATE 03/30/93
APPR.	DATE

**KINGS**  
ELECTRONICS CO., INC.  
ROCK HILL, SOUTH CAROLINA 29730

# GSD

M39012/25-0018