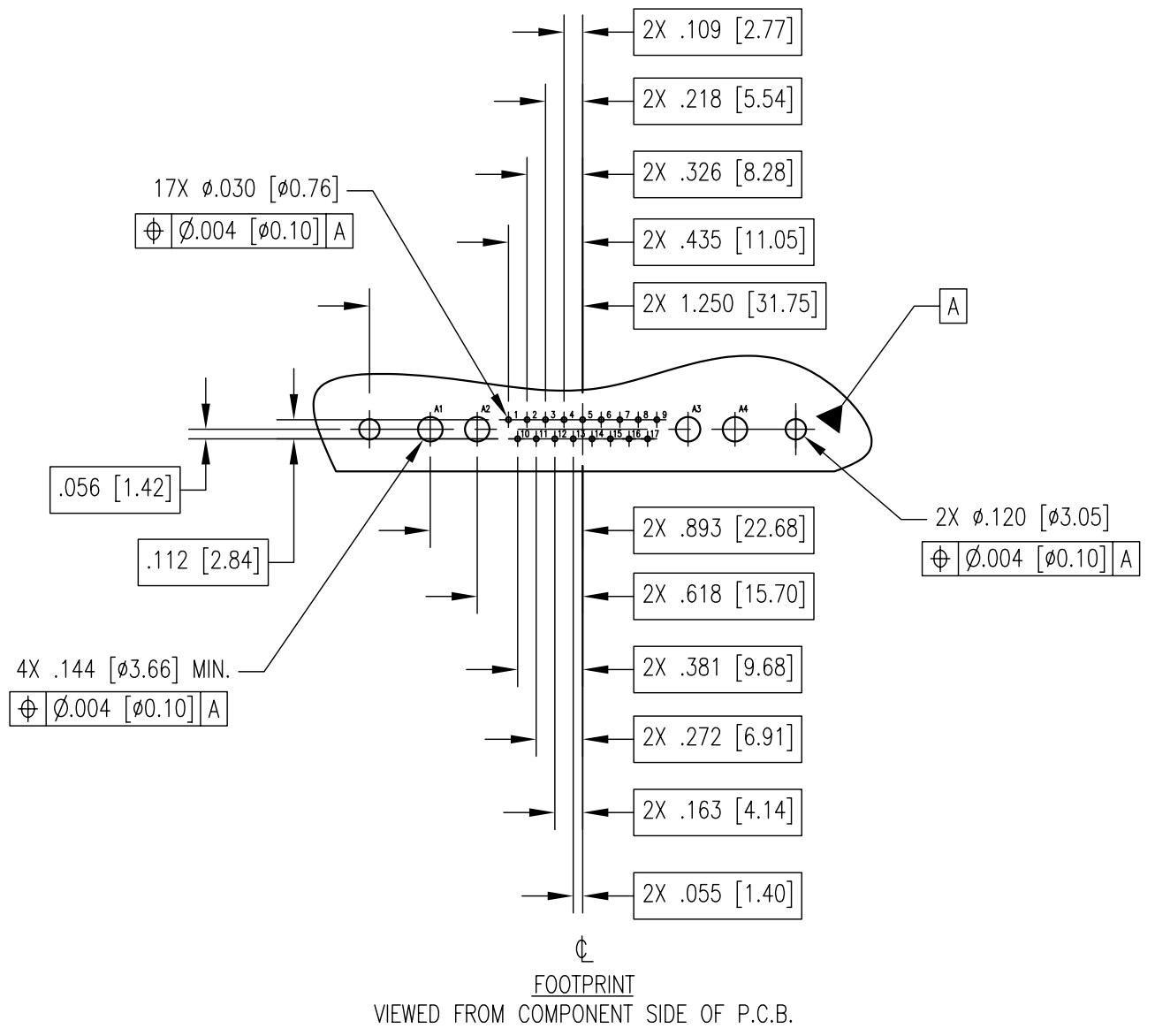
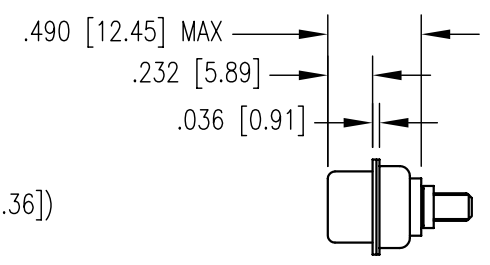
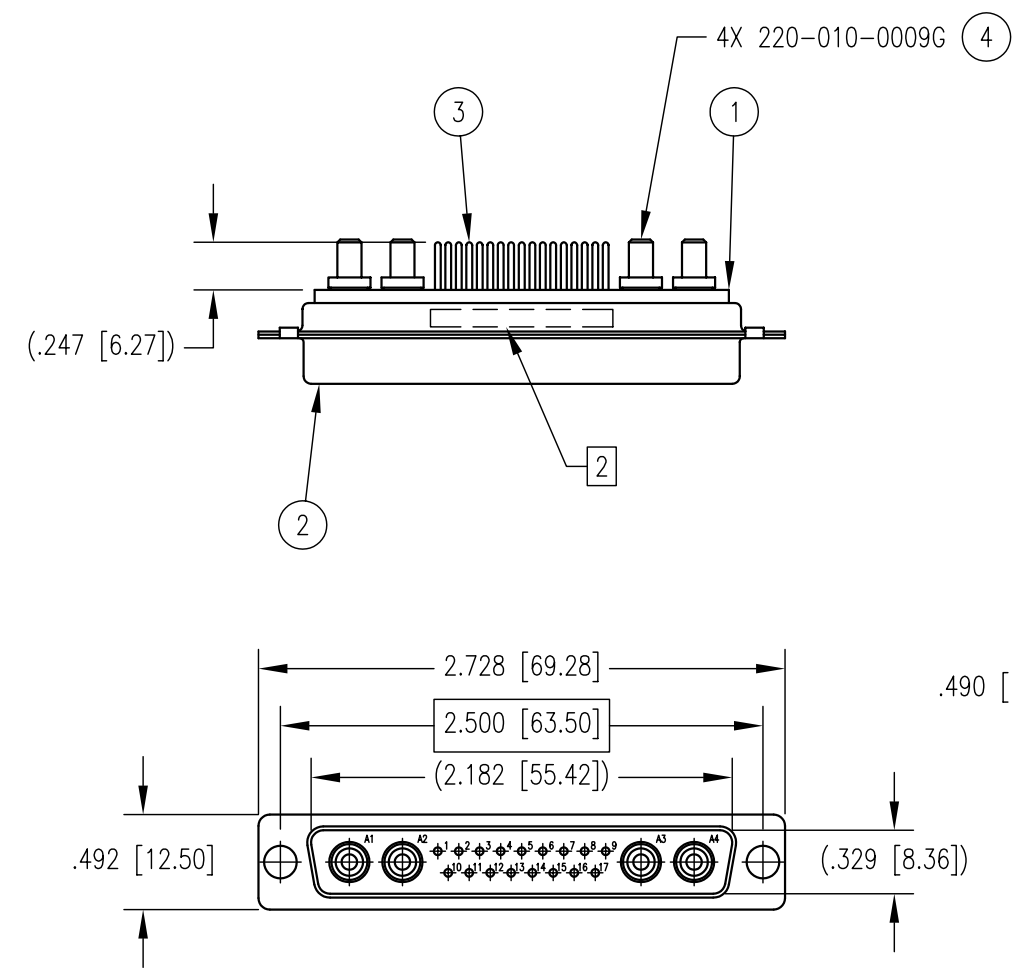


REV	DESCRIPTION	BY	DATE	APPD
A	ECR8602	SD	02/05	SD



FOOTPRINT
VIEWED FROM COMPONENT SIDE OF P.C.B.

- NOTES:
1. THIS CONNECTOR IS DESIGNED TO MEET THE APPLICABLE PERFORMANCE REQUIREMENTS OF MIL-DTL-24308, MS18271, DSCC 85039 AND DCSS 85048.
 2. APPROXIMATE LOCATION OF MARKING AS SHOWN ON INDICATED SURFACE.

SPECIFICATIONS:
MATERIALS & FINISHES

1. INSULATOR: THERMOPLASTIC POLYESTER, GLASS FILLED RATED 50 KV/MM. COLOR: GREEN
2. SHELL & BRACKETS: STEEL FINISH: TIN PLATE
3. CONTACTS: BRASS FINISH: GOLD OVER NICKEL
4. SEE CONTACT SALES DRAWING FOR CONTACT SPECIFICATIONS.

PER ASME Y14.5M-1994 UNLESS OTHERWISE SPECIFIED: DIMENSIONS ARE IN INCHES OR INCHES/MM TOLERANCES: DECIMALS .xx ± .01 [0.254] .xxx ± .005 [0.127] ANGLES ± 2° SCALE: 1:1		NORTHROP GRUMMAN Winchester Electronics 62 Barnes Industrial Road North Wallingford, CT 06492	
CUSTOMER DRAWING		TITLE 21WA4P B-SUB CONNECTOR WITH 40 AMP POWER	
DRAWN JEM DATE 09/15/03	CHECKED S.D. DATE 9/16/03	DATE 9/16/03	SHT. OF REV. 1 1 A
APPROVED JD DATE 9/15/03		APPROVED CWB DATE 9/16/03	
B		SDRM21WA4P-1020	