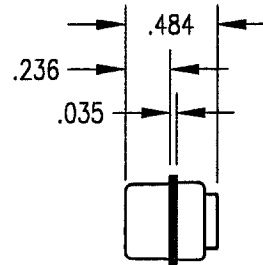
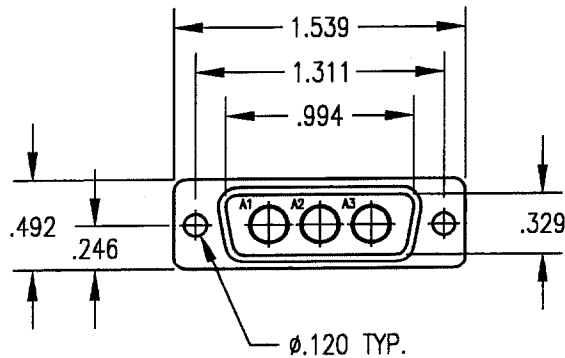
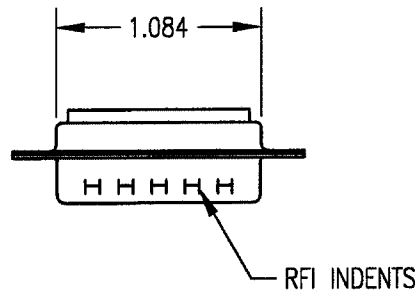


DWG. NO.		RM3W3P-00-TD	
REV	DESCRIPTION	DATE	APPROVED
E	NPR 1563	10/26/99	JED



NOTES:

- MATERIALS:
SHELL: STEEL PER ASTM A568
INSULATOR: GLASS FILLED POLYESTER
- FINISH:
SHELL: TIN PLATE PER ASTM B545
INSULATOR: GREEN
- CONTACT ARRANGEMENT:
(3) COAX OR POWER CONTACTS (NOT SUPPLIED)

PER ASME Y14.5M-1994 UNLESS OTHERWISE SPECIFIED: DIMENSIONS ARE IN INCHES OR INCHES/MM		Litton	
TOLERANCES: DECIMALS .XX ± .01/0.254 XXX ± .005/0.127 ANGLES ± 2°		400 Park Road Waterbury, Connecticut 06795	
SCALE: 1:1		Winchester Electronics/RETCONN	
CUSTOMER DRAWING		TITLE 3W3P D-SUB CONNECTOR WITH RFI INDENTS	
DRAWN JED	DATE 10/26/99	CHECKED KJZ	DATE 11/19/99
APPROVED JMC	DATE 11/19/99	APPROVED SP	DATE 11/19/99
A		RM3W3P-00-TD	SHT. OF REV. 1 1 B