

Winchester Electronics Presents...

Standard Size Video Jacks

7520 & 7780 Series Analog or Digital, SD or HD Compliant

Product Benefits

- Meets SMPTE 424M (3G - SDI) and HDTV standards
- Frequency range: up to 3.5 GHz
- Mates with standard BNC plugs and standard (0.090" center pin) patch plugs
- 75 Ohm - suitable for Analog, Serial Digital, and HDTV applications
- Terminated, unterminated, and feed-through versions available in dual or single configurations



Specifications

Electrical

<i>Impedance</i>	75 Ohms
<i>Frequency Range</i>	Dual Jacks: DC to 3.5 GHz Single Jacks: DC to 1.5 GHz
<i>Return Loss</i>	Dual Jacks: -15 dB up to 2.4 GHz -10 dB up to 3.5 GHz Single Jacks: -15 dB up to 900 MHz (self-terminated) -10 dB up to 1.5 GHz

Material

<i>Body</i>	Zinc Alloy
<i>Contacts</i>	Beryllium Copper or Brass
<i>Springs</i>	Beryllium Copper
<i>Insulators</i>	Teflon® or Delrin®
<i>Dielectrics</i>	Zytel®

Environmental

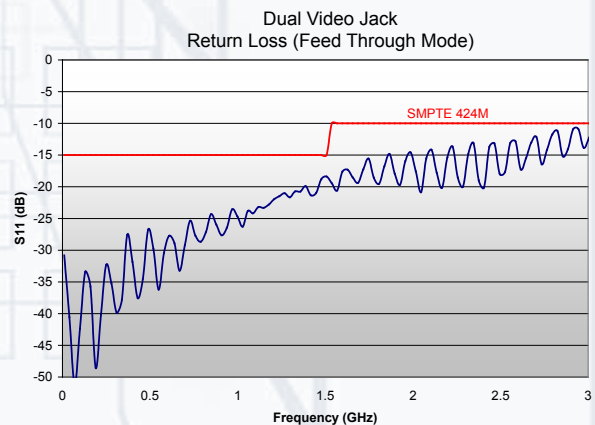
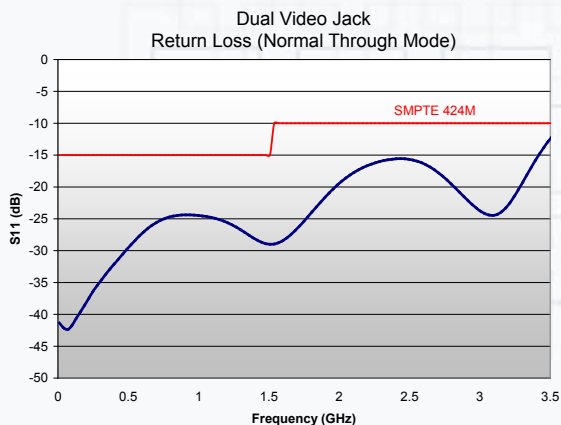
<i>Temperature Range</i>	-40°C to +85°C
<i>Moisture Resistance</i>	MIL-STD-202, Method 106
<i>Corrosion</i>	MIL-STD-202, Method 101 Condition B

Mechanical

<i>Life</i>	50,000 Cycles
<i>Withdrawal Force</i>	3.0 lbs. Minimum

Finishes

<i>Body</i>	Nickel
<i>Contacts</i>	Gold

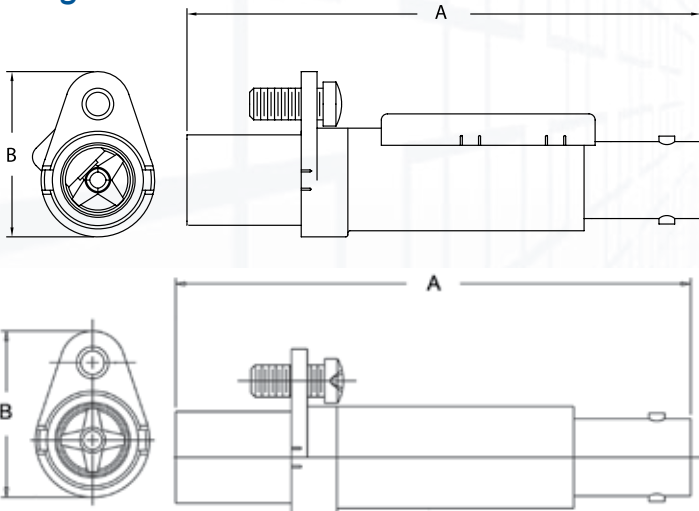


7520 & 7780 Series Standard Size Video Jacks

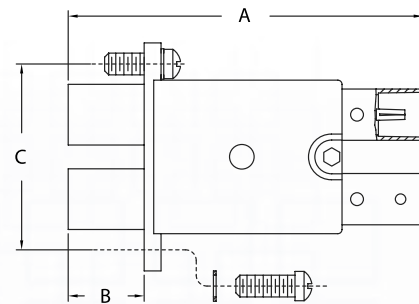
Video Jack		Dimensions		
P/N	Description	A	B	C
7520-9	Single, Unterminated	2.540	0.820	
7520-10	Single, Terminated	2.540	0.820	
7780-2	Dual, Terminated	2.650	0.560	1.380
7780-3	Dual, Unterminated	2.650	0.560	1.380
7780-4	Dual, Feed Through	2.650	0.560	
7780-5	Dual, Terminated, Threaded Flange	2.650	0.560	1.380
7780-6	Dual, Unterminated, Threaded Flange	2.650	0.560	1.380
7780-7	Dual, Feed Through, Threaded Flange	2.650	0.560	1.380

Dimension Drawings - Single and Dual

Single



Dual



Video Jackfield			
P/N	Configuration	P/N	Configuration
7785-6	1x24 Terminated	7785-40	1.5x28 Terminated
7785-29	1x24 Unterminated	7785-8	2x24 Terminated
7785-7	1x26 Terminated	7785-32	2x24 Unterminated
7785-31	1x26 Unterminated	7785-4	2x26 Terminated
7785-41	1.5x24 Terminated	7785-30	2x26 Unterminated

Connecting Innovation to Application[®]