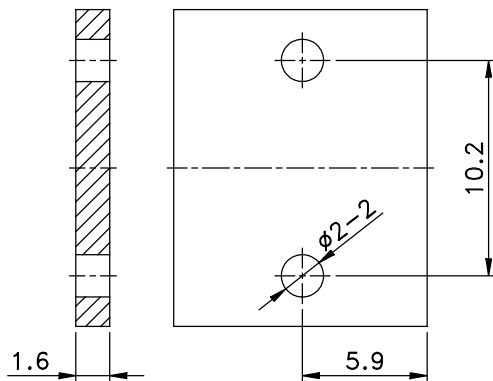
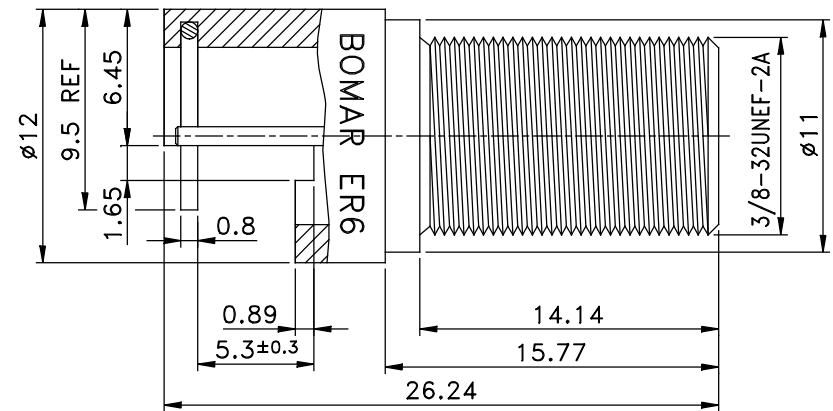
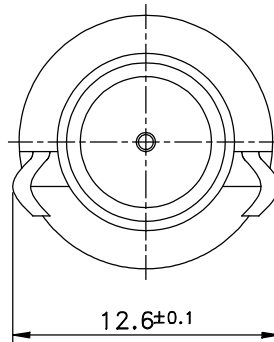


REV	DESCRIPTION\PER REQUEST	DATE
H	Round PCB Contact	10/20/09



PCB MOUNTING HOLE



*Bomar Patent

7	Ferrule	1	Brass	Nickel
6	Crab foot	1	Steel	Nickel
5	Dielectric	1	Teflon	None
4	Dielectric	1	Teflon	None
3	Pin	1	Beryllium	Gold
2	Pin	1	Brass	Gold(15μ")
1	Body	1	Brass	Nickel
NO	Description	Q'ty	Material	Finish

BC-40039B

PART NO. 861V509ER6		* MAJOR DIMENSION		Bomar Interconnect Products, Inc	
APPROVED _____ DATE 10/20/09		UNLESS OTHERWISE NOTED TOLERANCES			
CHECKED _____ DATE 10/20/09		0.5-6=±0.2		TITLE F P.C. V-BITE JACK	
DRAWN Kai DATE 10/20/09		6-30=±0.4		DRAWING NO. F-1638-7-TGN	
		30-120=±0.6		REV H	
		120-315=±1.0		FILE NO. W:\DWG\COMPOSE\F\F-1638-7-TGN BOMAR->20091020	
		ANGLES=±1°			
SCALE	3/1	UNIT	mm		